



MATHIAS BÄUERLE

Mathias Bäuerle GmbH · Gewerbehallestraße 7-11

D-78112 St.Georgen · Telefon (07724) 882-0 · Telefax (07724) 882-111

Internet: <http://www.mbfold.de> · E-mail: center@mbfold.de

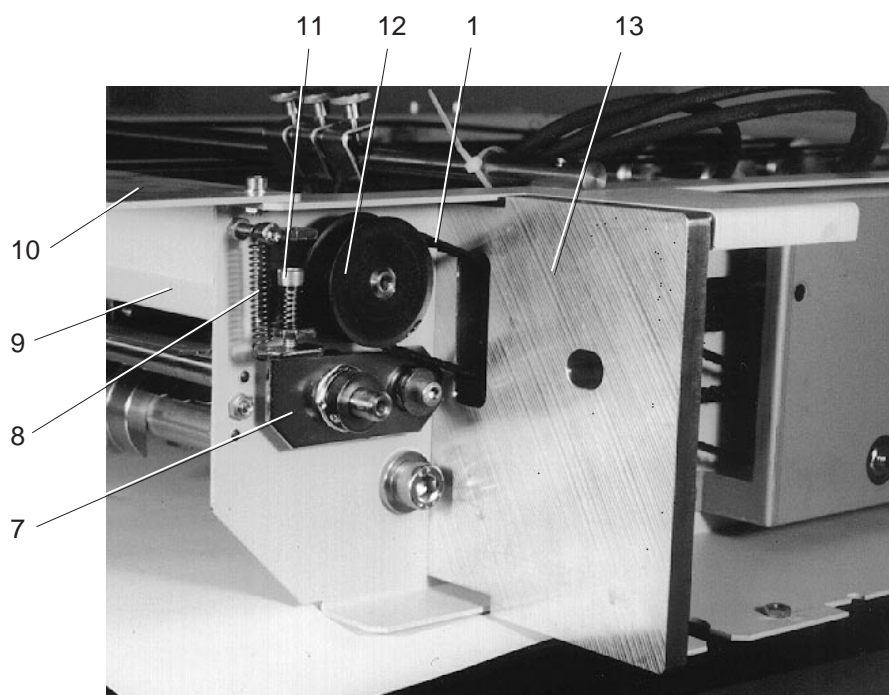
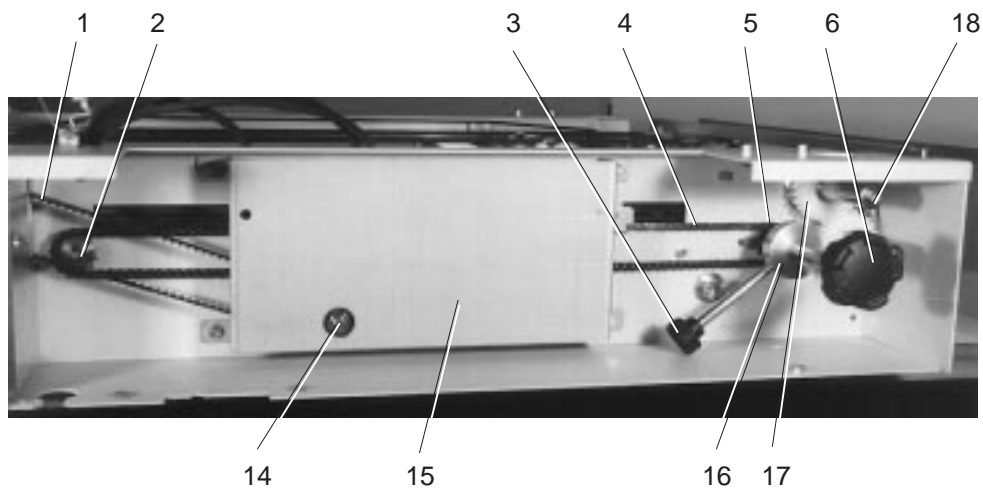
Akkumulator Accumulator

ERSATZTEILKATALOG SPARE PARTS CATALOG

Inhalt

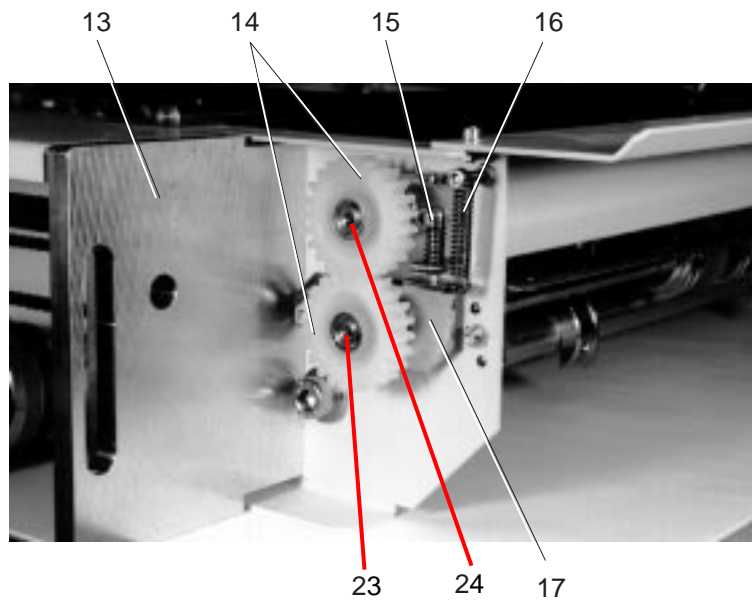
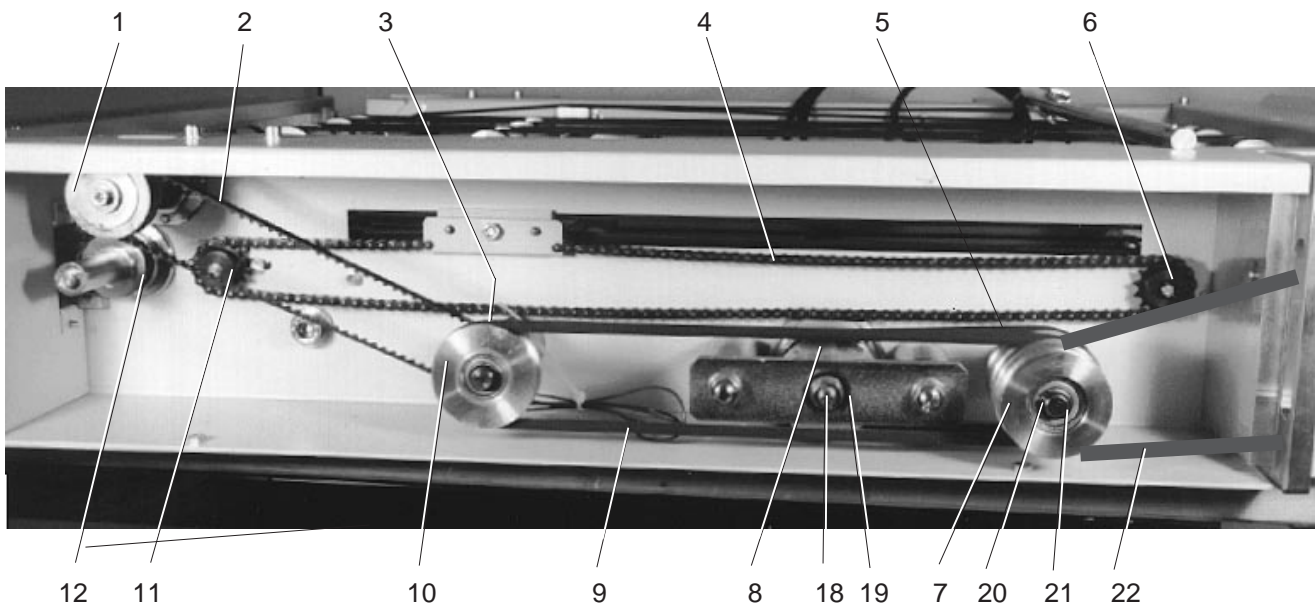
Contents

Gruppe 1	Linke Seite	5
Group 1	Left Side	5
Gruppe 2	Rechte Seite	7
Group 2	Right Side	7
Gruppe 3	Bedienpult	9
Group 3	Control Panel	9
Gruppe 4	Oberseite	11
Group 4	Top View	11
Gruppe 5	Unterseite	13
Group 5	Bottom View	13
Gruppe 6	Einlaufbereich	15
Group 6	Infeed Area	15
Gruppe 7	Auslaufbereich	17
Group 7	Delivery Area	17
Numerische Teileliste		18
Numerical Parts List		18



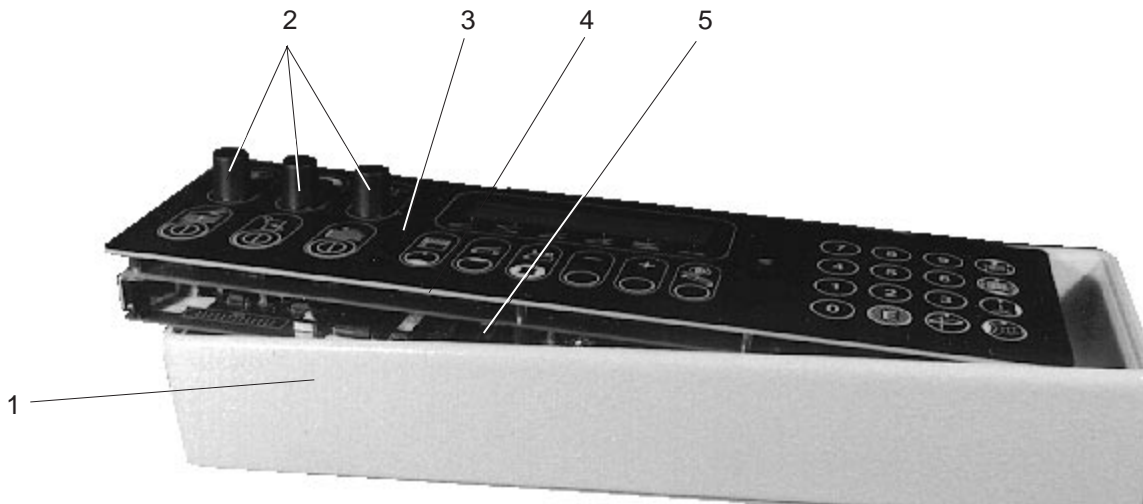
Gruppe 1 LinkeSeite
Group 1 Left Side

Pos.	Teile-Nr.	Beschreibung	Qty.
Pos.	Part No.	Description	Qty.
1	1.033.014	Zahnriemen / Timing belt	1
2	1.013.058	Kettenrad / Sprocket	4
3	1.027.430	Drehknopf / Knob	1
4	1.011.044	Rollenkette / Chain	1
	1.011.004	Kettenverschluß / Chain lock	2
5	1.013.058	Kettenrad / Sprocket	4
6	1.027.462	Rippengriff / Knob	1
7	4.005.225	Hebel kpl. / Lever cpl.	1
8	1.001.014	Feder / Spring	1
9	2.028.251	Leitblech / Guide	1
10	2.028.253	Winkel / Bracket	1
11	1.143.031	Stellschraube / Setting screw	1
12	4.005.230	Zahnriemenrad kpl. / Timing belt pulley cpl.	1
13	2.036.184	Platte / Plate	1
14	1.112.005	Lager / Bearing	
15	2.028.249	Bügel / Bracket	
16	2.012.753	Klemmring / Clamp collar	
17	4.005.232	Zahnrad / Gear	
18	2.017.130	Welle / Shaft	



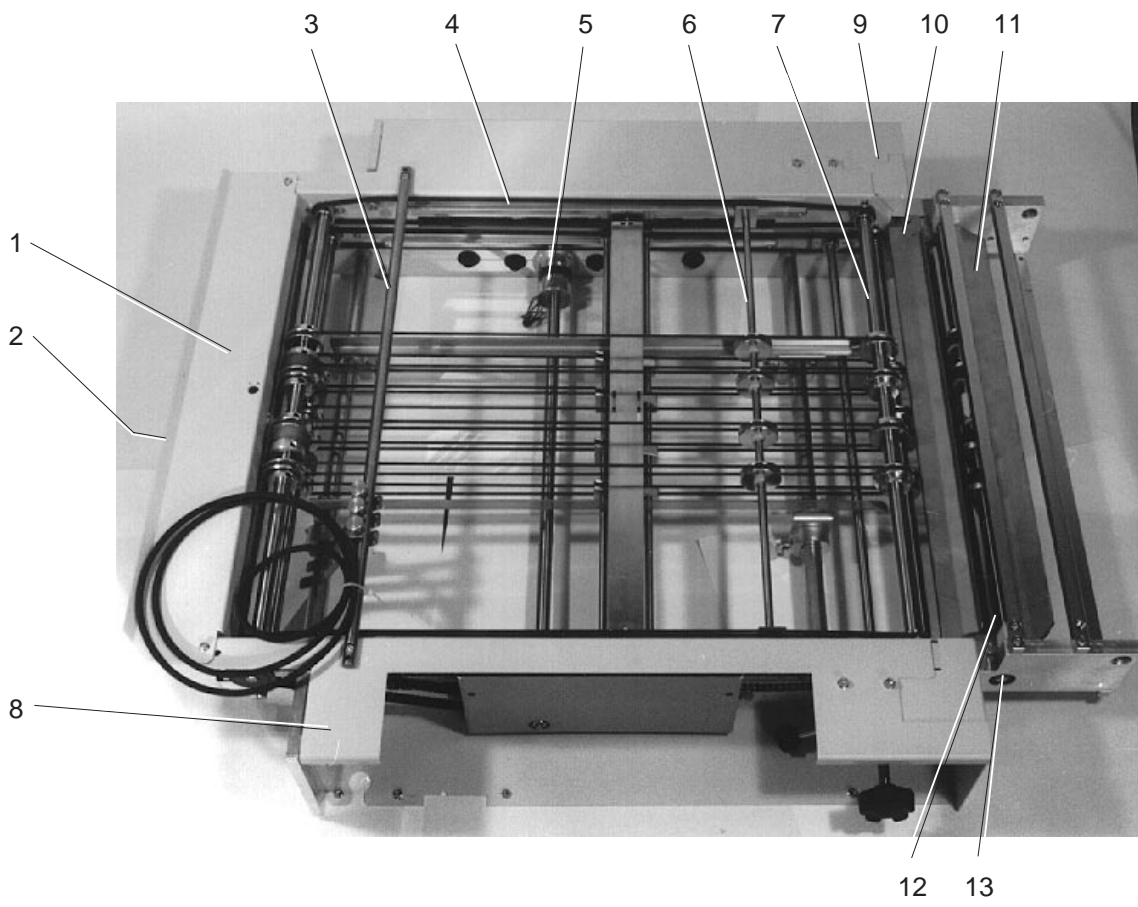
.11Gruppe 2 Rechte Seite**Group 2 Right Side**

Pos.	Teile-Nr.	Beschreibung	Qty.
Pos.	Part No.	Description	Qty.
1	4.005.237	Zahnriemenscheibe / Timing belt pulley	1
2	1.033.005	Zahnriemen / Timing belt	1
3	4.005.237	Zahnriemenscheibe / Timing belt pulley	1
4	1.011.044	Rollenkette / Chain	2
	1.011.004	Kettenverschluß / Chain lock	2
5	1.033.095	Rundriemen / Round belt	1
6	1.013.055	Kettenrad / Sprocket	1
7	2.012.754	Riemenscheibe / Pulley	1
	1.112.005	Kugellager / Ball bearing	2
8	2.012.999	Riemenscheibe / Pulley	1
9	1.033.094	Rundriemen / Round belt	1
10	4.005.227	Riemenscheibe / Pulley	1
11	1.013.055	Kettenrad / Sprocket	1
12	2.012.752	Flanschlager / Flange bearing	4
	1.112.025	Kugellager / Ball bearing	4
13	2.036.183	Platte / Plate	1
14	4.005.231	Zahnrad kpl. / Gear cpl.	2
15	1.143.031	Stellschraube / Setting screw	1
16	1.003.037	Feder / Spring	1
17	4.005.224	Hebel kpl. / Lever cpl.	1
18	2.017.132	Achse / Shaft	
19	1.112.005	Lager / Bearing	
20	1.112.005	Lager / Bearing	
21	2.006.618	Bolzen / Bolt	
22	1.033.094	Rundriemen / Round belt	
23	2.017.130	Achse / Shaft / Lower.....	1
24	2.017.129	Achse / Shaft / Upper.....	1



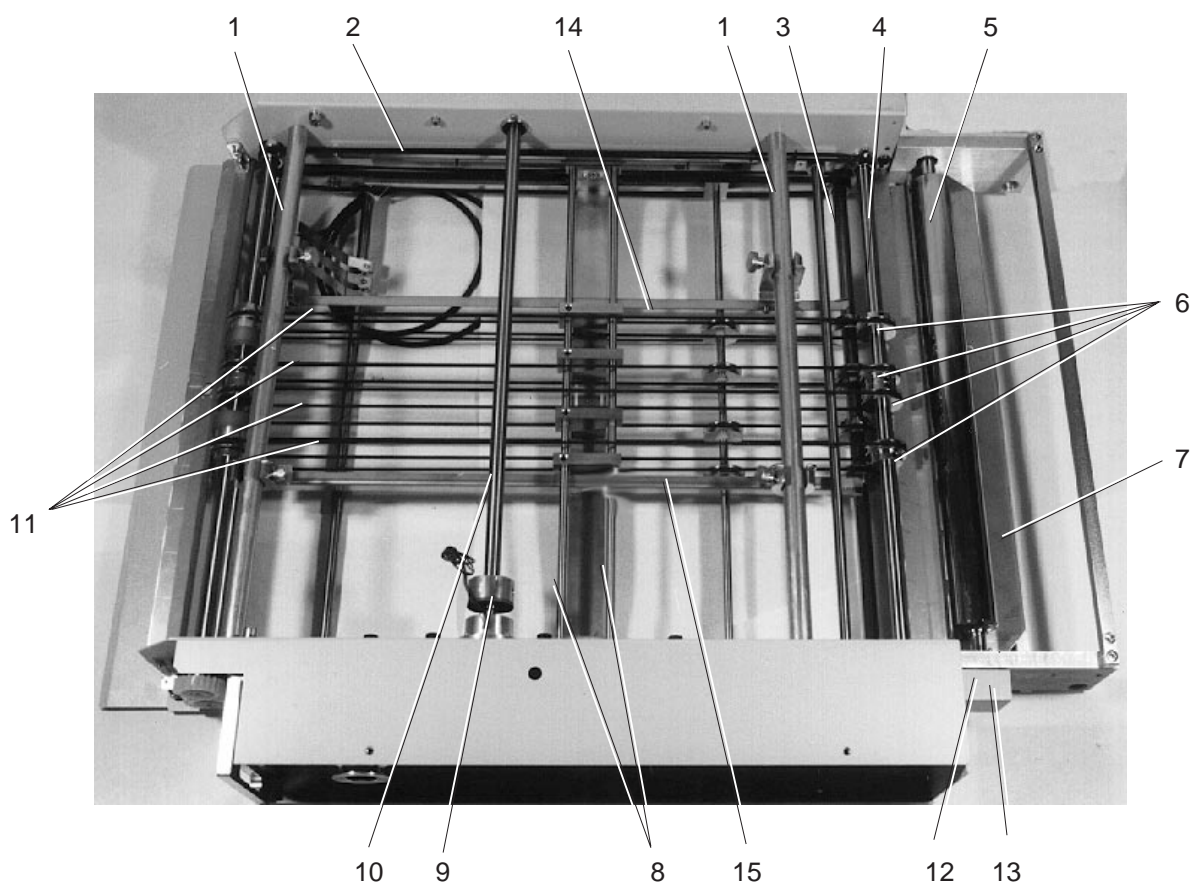
Gruppe 3 Bedienpult
Group 3 Control Panel

Pos.	Teile-Nr.	Beschreibung	Qty.
Pos.	Part No.	Description	Qty.
1	4.004.652	Bedienpult kpl. / Control panel cpl.	1
	4.005.199	Gehäuse / Housing	1
2	1.017.501	Drehknopf / Knob	3
	1.017.502	Mitnehmerscheibe / Washer	3
	1.043.071	Skalenring / Scale ring	3
3	1.045.551	Schild / Decal	1
4	2.022.304	Trägerplatte / Plate	1
5	4.005.110	Leiterplatte Tastatur / PC-board keyboard	1
	2.006.523	Distanzbolzen / Spacer bolt	10
	1.027.394	Distanzhülse / Sleeve	2
	1.123.002	Mutter / Nut	10
	4.006.415	Leiterplatte Master / PC-board masterboard	1
	4.006.330	VCU-Schnittstelle / Interface for VCU	



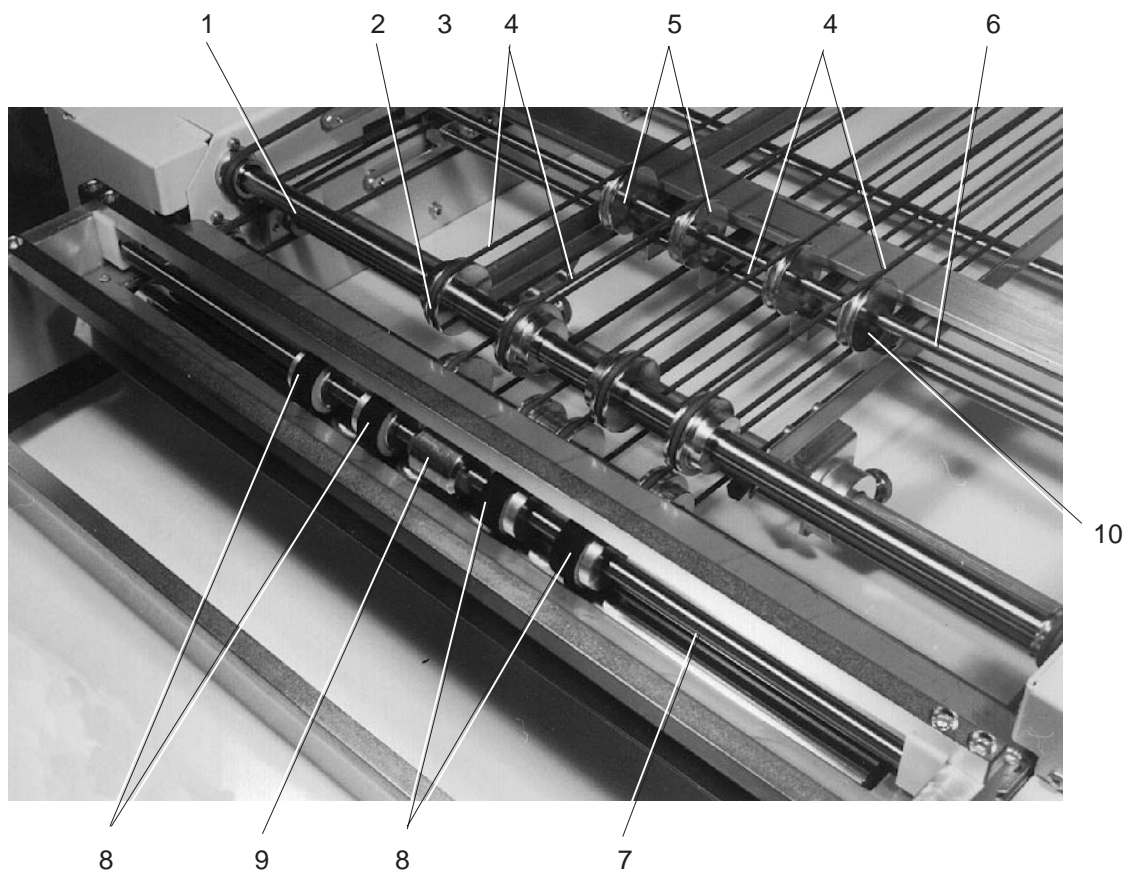
Gruppe 4 Oberseite
Group 4 Top View

Pos.	Teile-Nr.	Beschreibung	Qty.
Pos.	Part No.	Description	Qty.
1	2.028.253	Leitblech unten / Guide plate, bottom	1
2	2.028.251	Winkel / Bracket	1
3	2.017.128	Stange / Square shaft	1
4	1.033.096	Rundriemen / Round belt	4
5	1.030.284	Kupplung-Bremse kpl. / Clutch-brake cpl.	1
	2.001.474	Buchse / Bushing	1
	2.017.132	Bremswelle / Brake shaft	1
6	2.017.127	Welle / Shaft	1
7	2.017.129	Welle / Shaft	1
8	2.028.501	Winkel / Bracket	1
9	2.028.500	Winkel / Bracket	1
10	2.078.983	Leitblech / Paper guide	1
11	2.028.984	Leitblech / Paper guide	1
12	2.017.354	Welle / Shaft	
13	1.112.005	Lager / Bearing	



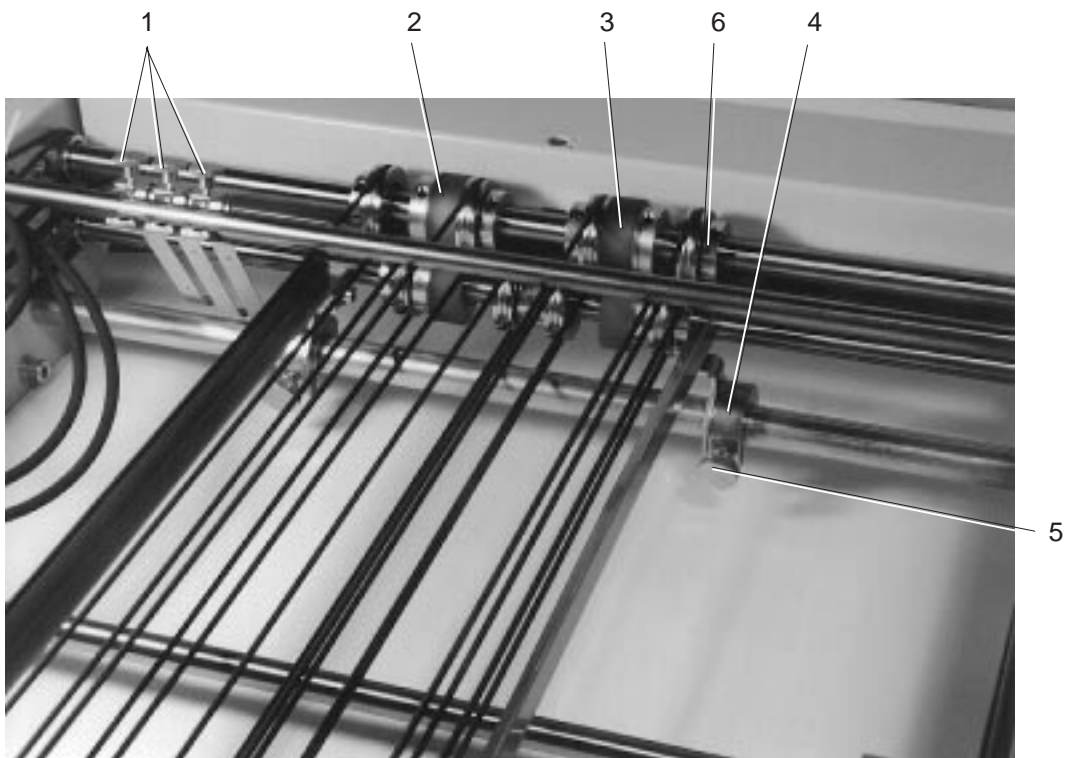
Gruppe 5 Unterseite
Group 5 Bottom View

Pos.	Teile-Nr.	Beschreibung	Qty.
Pos.	Part No.	Description	Qty.
1	2.017.125	Distanzachse / Spacer shaft	2
2	1.033.096	Rundriemen / Round belt	8
3	2.017.129	Welle / Shaft	1
4	2.017.130	Welle / Shaft	1
5	2.017.355	Walze / Roller	1
6	2.013.014	Rundriemenscheibe / Round belt pulley	4
7	2.028.984	Leitblech unten / Guide plate, bottom	2
8	2.017.126	Achse / Shaft	2
9	1.030.284	Kupplung-Bremse kpl. / Clutch-brake cpl.	1
10	2.017.132	Bremswelle / Brake shaft	1
11	1.033.097	Rundriemen / Round belt	8
	2.013.014	Rundriemenscheibe / Round belt pulley	4
12	1.033.077	Zahnriemen / Timing belt	1
13	4.005.750	Zahnriemenrad / Timing belt pulley	2
14	2.028.248	Schiene / Guide	1
15	2.028.247	Schiene / Guide	1



Gruppe 6 Einlaufbereich
Group 6 Infeed Area

Pos.	Teile-Nr.	Beschreibung	Qty.
Pos.	Part No.	Description	Qty.
1	2.017.129	Welle / Shaft	1
2	2.013.014	Rundriemenscheibe oben / Round belt pulley upper	4
3	2.013.014	Rundriemenscheibe unten / Round belt pulley, lower	4
4	1.033.096	Rundriemen / Round belt	4
5	4.005.229	Rundriemenscheibe / Round belt pulley	4
	1.009.027	Lager / Bearing	4
6	2.017.127	Welle / Shaft	1
7	2.017.354	Welle / Shaft	1
8	4.002.556	Einzugsrollen / Infeed rollers	4
9	2.001.455	Rolle / Roller	1
	1.009.038	Lager / Bearing	2
10	1.027.342	Achsen-Klemmring (rot) / C-clip (red)	8



Gruppe 7 Auslaufbereich
Group 7 Delivery Area

Pos.	Teile-Nr.	Beschreibung	Qty.
Pos.	Part No.	Description	Qty.
1	4.005.960	Papierleitfeder / Hold-down spring	3
	1.155.007	Rändelschraube / Knurled screw	3
2	4.004.629	Rolle / Roller	2
	2.001.473	Lager / Bearing	2
	3.504.014	Schraube/ Screw	2
3	4.004.629	Rolle / Roller	2
	2.001.473	Buchse / Bushing	2
	3.504.014	Stiftschraube/ Screw	2
4	4.005.222	Stellring / Collar	2
5	3.012.205	Rändelschraube / Knurled screw	2
6	4.005.233	Rundriemenscheibe / Round belt pulley	4

Numerische Teileliste

Numerical Parts List

Teile-Nr. Part No.	Beschreibung Description	Grp. Grp.	Pos. Pos.
1.001.014	Feder / Spring	1	8
1.003.037	Feder / Spring	2	16
1.009.038	Lager / Bearing	6	9
1.009.127	Lager / Bearing	6	5
1.011.004	Kettenverschluß / Chain lock	1	4
1.011.004	Kettenverschluß / Chain lock	2	4
1.011.044	Rollenkette / Chain	1	4
1.011.044	Rollenkette / Chain	2	4
1.013.055	Kettenrad / Sprocket	2	6
1.013.055	Kettenrad / Sprocket	2	11
1.013.058	Kettenrad / Sprocket	1	2
1.013.058	Kettenrad / Sprocket	1	5
1.017.501	Drehknopf / Knob	3	2
1.017.502	Mitnehmerscheibe / Washer	3	2
1.027.394	Distanzhülse / Sleeve	3	5
1.027.430	Drehknopf / Knob	1	3
1.027.462	Rippengriff / Knob	1	6
1.030.284	Kupplung-Bremse kpl. / Clutch-brake cpl.	4	5
1.030.284	Kupplung-Bremse kpl. / Clutch-brake cpl.	5	9
1.033.005	Zahnriemen / Timing belt	2	2
1.033.014	Zahnriemen / Timing belt	1	1
1.033.094	Rundriemen / Round belt	2	9
1.033.095	Rundriemen / Round belt	2	5
1.033.096	Rundriemen / Round belt	4	4
1.033.096	Rundriemen / Round belt	5	2
1.033.096	Rundriemen / Round belt	6	4
1.033.097	Rundriemen / Round belt	5	11
1.043.071	Skalenring / Scale ring	3	2
1.045.551	Schild / Decal	3	3
1.112.005	Kugellager / Ball bearing	2	7
1.112.025	Kugellager / Ball bearing	2	12
1.123.002	Mutter / Nut	3	5
1.143.031	Stellschraube / Setting screw	1	11
1.143.031	Stellschraube / Setting screw	2	15
1.155.007	Rändelschraube / Knurled screw	7	1

Teile-Nr. Part No.	Beschreibung Description	Grp. Grp.	Pos. Pos.
2.001.455	Rolle / Roller	6	9
2.001.474	Buchse / Bushing	4	5
2.006.523	Distanzbolzen / Spacer bolt	3	5
2.012.752	Flanschlager / Flange bearing	2	12
2.012.754	Riemenscheibe / Pulley	2	7
2.012.999	Riemenscheibe / Pulley	2	8
2.013.014	Rundriemenscheibe / Round belt pulley	5	6
2.013.014	Rundriemenscheibe / Round belt pulley	5	11
2.013.014	Rundriemenscheibe / Round belt pulley	6	2
2.013.014	Rundriemenscheibe / Round belt pulley	6	3
2.017.125	Distanzachse / Spacer shaft	5	1
2.017.126	Achse / Shaft	5	8
2.017.127	Welle / Shaft	4	6
2.017.127	Welle / Shaft	6	6
2.017.128	Stange / Square shaft	4	3
2.017.129	Welle / Shaft	4	7
2.017.129	Welle / Shaft	5	3
2.017.129	Welle / Shaft	6	1
2.017.130	Welle / Shaft	5	4
2.017.132	Bremswelle / Brake shaft	4	5
2.017.132	Bremswelle / Brake shaft	5	10
2.017.354	Welle / Shaft	6	7
2.017.355	Walze / Roller	5	5
2.022.304	Trägerplatte / Plate	3	4
2.028.251	Leitblech / Guide	1	9
2.028.251	Leitblech / Guide	4	2
2.028.253	Winkel / Bracket	1	10
2.028.253	Winkel / Bracket	4	1
2.028.500	Winkel / Bracket	4	9
2.028.501	Winkel / Bracket	4	8
2.028.984	Leitblech unten / Guide plate, bottom	5	7
2.036.183	Platte / Plate	2	13
2.036.184	Platte / Plate	1	13

Teile-Nr. Part No.	Beschreibung Description	Grp. Grp.	Pos. Pos.
3.012.205	Rändelchraube / Knurled screw	7	5
4.002.556	Einzugsrolle / Infeed roller	6	8
4.004.629	Rolle / Roller	7	2
4.004.629	Rolle / Roller	7	3
4.004.652	Bedienpult kpl. / Control panel cpl.	3	1
4.005.110	Leiterplatte Tastatur / PC-board keyboard	3	5
4.005.199	Gehäuse / Housing	3	1
4.005.222	Stellring / Collar	7	4
4.005.224	Hebel kpl. / Lever cpl.	2	17
4.005.225	Hebel kpl. / Lever cpl.	1	7
4.005.227	Riemenscheibe / Pulley	2	10
4.005.229	Rundriemenscheibe / Round belt pulley	6	5
4.005.230	Zahnriemenrad kpl. / Timing belt pulley cpl.	1	12
4.005.231	Zahnrad kpl. / Gear cpl.	2	14
4.005.237	Zahnriemenscheibe / Timing belt pulley	2	1
4.005.237	Zahnriemenscheibe / Timing belt pulley	2	3
4.005.960	Papierleitfeder / Hold-down spring	7	1
4.006.415	Leiterplatte Master / PC-board masterboard	3	5