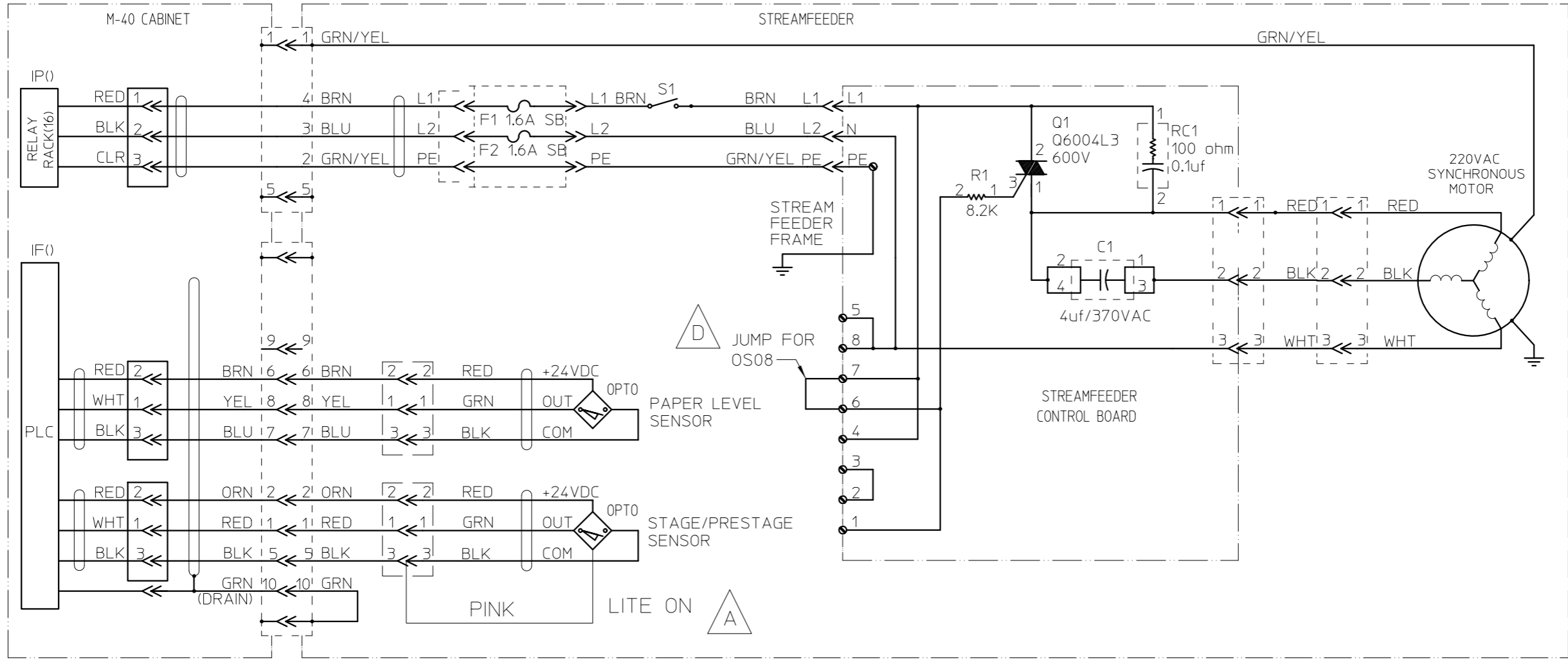




REVISIONS				
ZONE	REV	DESCRIPTION	DATE	APPROVED
	-	ORIGINAL RELEASE ECN 7083	02-08-01	mc
	A	CHG STAGE/PRESTAGE SENS FROM AC TO DC CHG CONN FOR EXT USE ON PINS-1,2,&5; ADD EXT CONN. CHG F1 & F2 FROM 16A TO 1.6A.	02-09-01	RJR
	B	UPDATE SENSOR CONN ECN 7605	07-12-01	mchurch
	C	CHG PIN OUT IN CONN IP(), ECN 8158	05-09-02	wfm
	D	REMOVED SS RELAY PER ECN 9481	XXXXXX	@@@



NOTES:

1. REMOVE SENSOR THAT COMES WITH STREAMFEEDER AND JUMPER TERMINAL #6 AND #7 ON CONTROL BOARD TO MAKE MOTOR RUN DIRECT.



MTRL:		GBR	GBR SYSTEMS CORPORATION 12 INSPIRATION LANE, CHESTER, CT. 06412 TEL: 860-526-9561											
FNESH:			TITLE STREAMFEEDER RELIANT 1500, 220V ELECTRICAL MODIFICATIONS SCHEMATIC											
UNLESS OTHERWISE SPECIFIED DIMENSIONS ARE IN INCHES AND ± .005 TOLERANCE. ANGLES ±2°		SIZE B	DWG NO. 549-27444-300											
REMOVE BURRS, SHARP EDGES & CORNERS	THIRD ANGLE PROJECTION	SCALE: 1:1	SHEET 1 OF 1											
<table border="1"> <tr> <td>NEXT ASSY</td> <td>USED ON</td> </tr> <tr> <td colspan="2">ORIGINAL APPLICATION</td> </tr> <tr> <td>DRAWN SS</td> <td>3-22-00</td> </tr> <tr> <td>CHECKED R.J.RUGGIERO</td> <td>2-13-01</td> </tr> <tr> <td>APVL. DT</td> <td>2-13-01</td> </tr> </table>		NEXT ASSY	USED ON	ORIGINAL APPLICATION		DRAWN SS	3-22-00	CHECKED R.J.RUGGIERO	2-13-01	APVL. DT	2-13-01	<small>THIS DRAWING IS THE PROPERTY OF GBR SYSTEMS CORPORATION IT IS RETURNABLE UPON REQUEST AND MUST NOT BE REPRODUCED OR THE INFORMATION CONTAINED HEREIN TRANSMITTED TO ANY UNAUTHORIZED PERSON OR ORGANIZATION WITHOUT WRITTEN CONSENT FROM GBR SYSTEMS CORPORATION © 2001</small>		
NEXT ASSY	USED ON													
ORIGINAL APPLICATION														
DRAWN SS	3-22-00													
CHECKED R.J.RUGGIERO	2-13-01													
APVL. DT	2-13-01													

