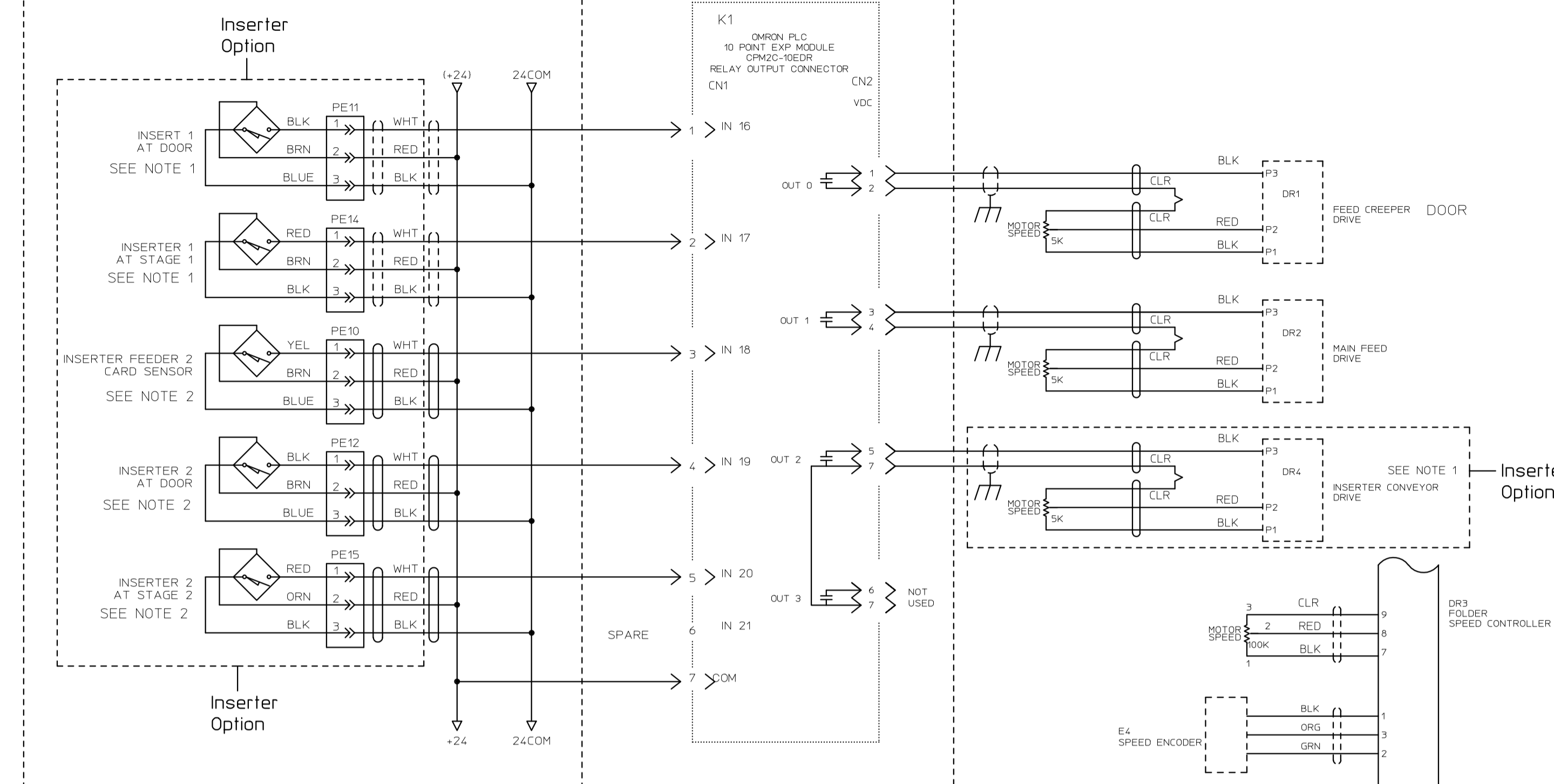
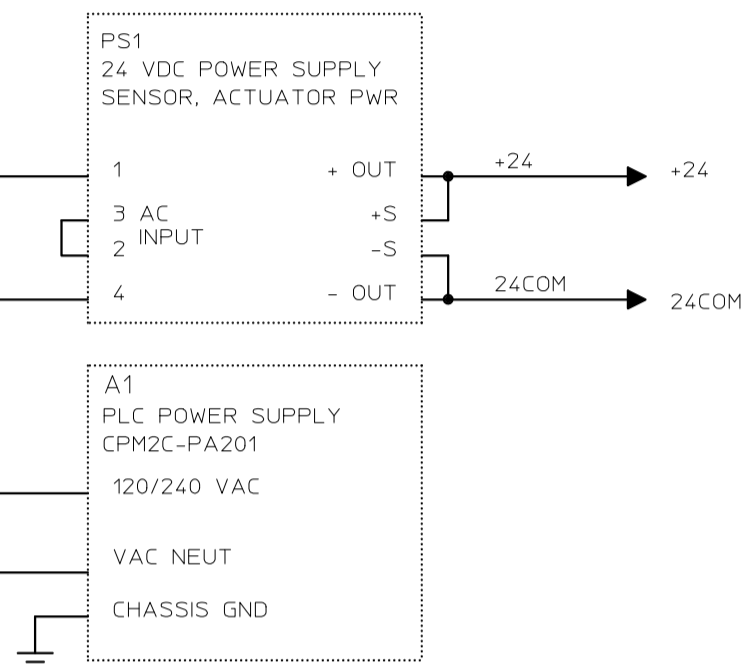
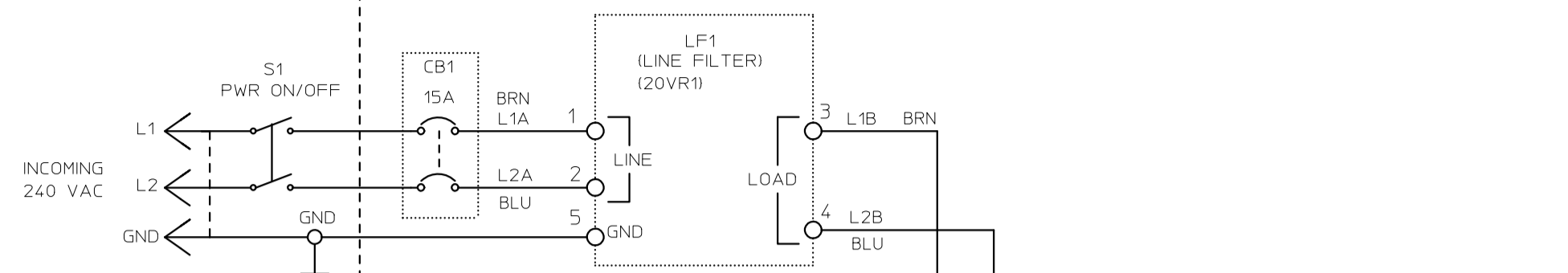
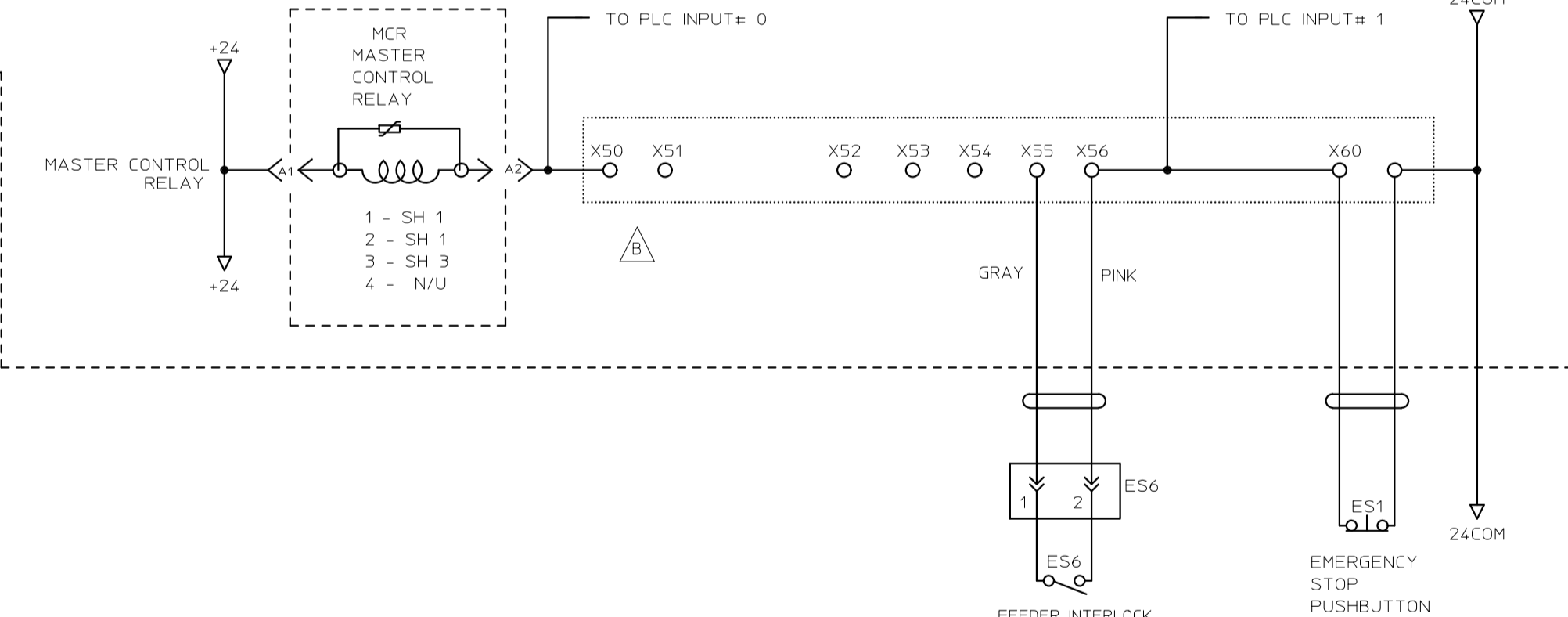
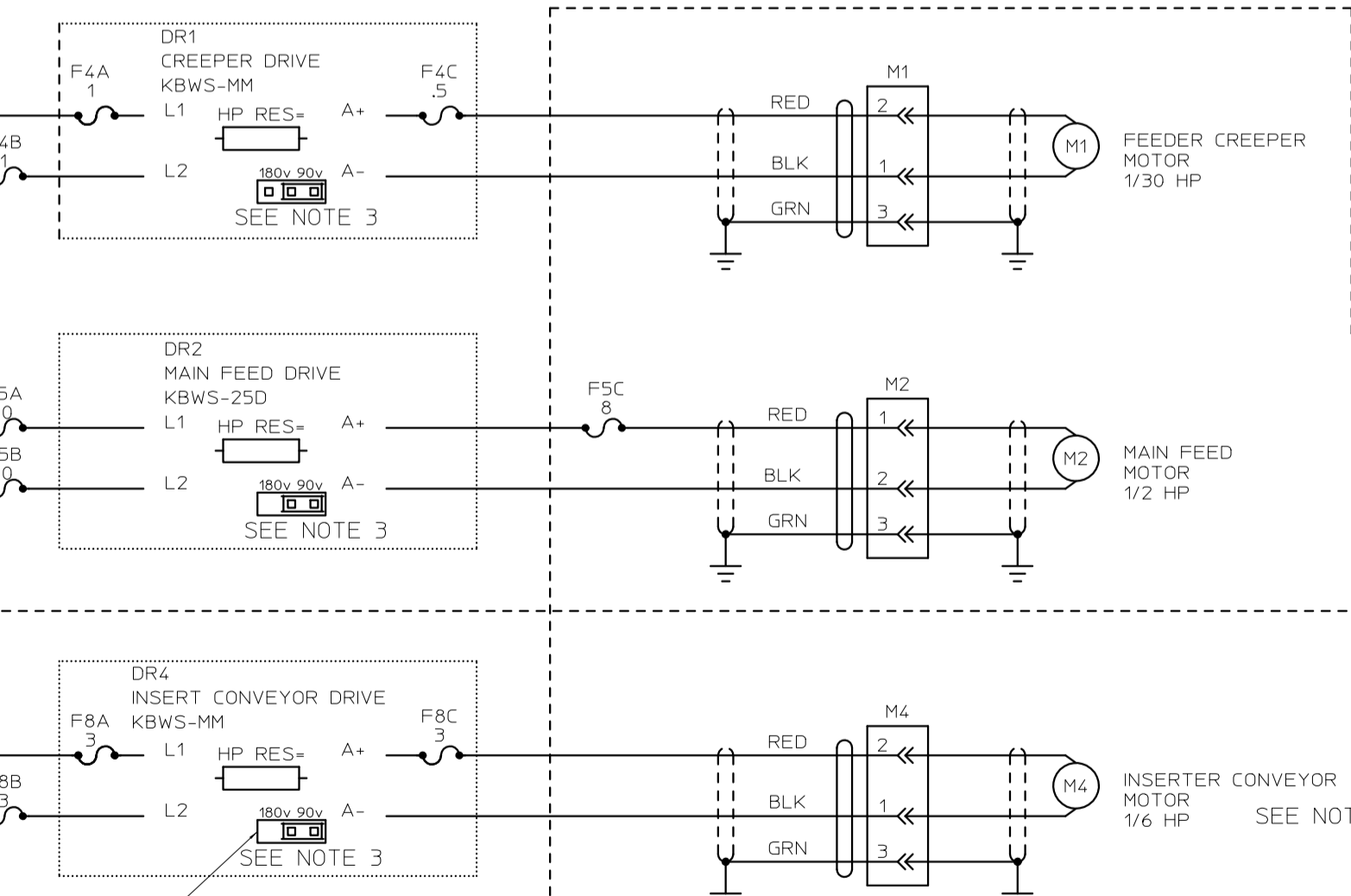
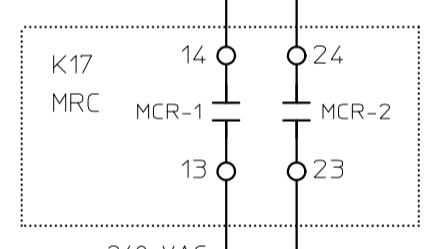


REVISIONS				
ZONE	REV	DESCRIPTION	DATE	APPROVED
-	-	ORIGINAL RELEASE ECN 9046	09-01-04	wfm
A	A	Indicated Insert Option ECN9205	12-13-04	wfm
B	B	REMOVED COVER INTERLOCKS AND PS2 POWER SUPPLY PER ECN 9481	XXXXXX	000



PLC CONTROL PANEL, ONE STEP MAILER  
GBR #196-30484-500



CONFIGURE MOTOR CONTROLLER JUMPER BEFORE MOUNTING ON PANEL - 90 VOLT

DRIVE#	DESCRIPTION	RESISTOR RATING
DR1	CREEPER DRIVE	0.25 OHM, 1/30 HP
DR2	MAIN FEED DRIVE	0.1 OHM, 1/3 - 1/4 HP
DR4	INSERT CONVEYOR DRIVE	0.1 OHM, 1/8 - 1/16 HP

OPTIONAL EQUIPMENT. INCLUDE WITH SINGLE OR DUAL INSERTER MODELS.  
OPTIONAL EQUIPMENT. INCLUDE WITH DUAL INSERTER MODEL ONLY.  
IF JUMPER DOES NOT EXIST, REMOVE R17 (8.2K RESISTOR) TO CONFIG VOLTAGES

MATL: #	GBR SYSTEMS CORPORATION 12 INSPIRATION LANE, CHESTER, CT. 06412 TEL: 860-526-9561
FNESH: #	TITLE
UNLESS OTHERWISE SPECIFIED DIMENSIONS ARE IN INCHES AND +.005 TOLERANCE. ANGLES +2°	ORIGINAL APPLICATION
REMOVE BURRS, SHARP EDGES & CORNERS	DRAWN WM 08-31-04
THIRD ANGLE PROJECTION	CHECKED
INTERPRET DRAWING PER ANSI Y14.5	APVL
THIS DRAWING IS THE PROPERTY OF GBR SYSTEMS CORPORATION IT IS RETURNABLE UPON REQUEST AND MUST NOT BE REPRODUCED OR THE INFORMATION CONTAINED HEREIN TRANSMITTED TO ANY UNAUTHORIZED PERSON OR ORGANIZATION WITHOUT WRITTEN CONSENT FROM GBR SYSTEMS CORPORATION ©2001	SCALE: 1:1
SIZE D	DWG NO. 700-30614-300
SHEET 2 OF 2	