

TC1010

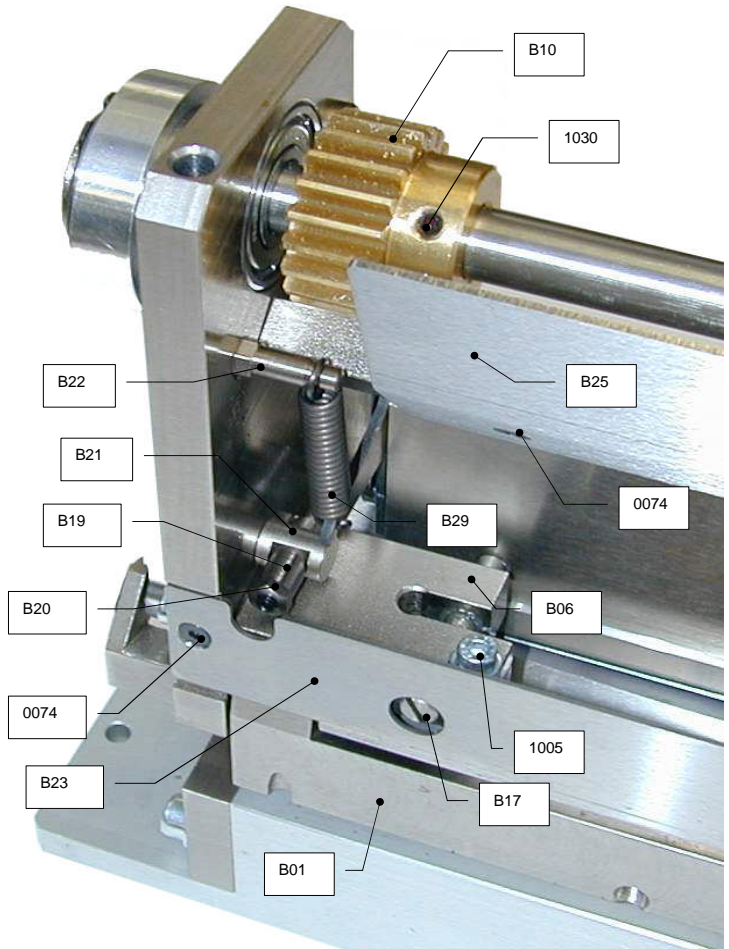
CROSS CUT BLADE ASSY



SPARE PARTS LISTING

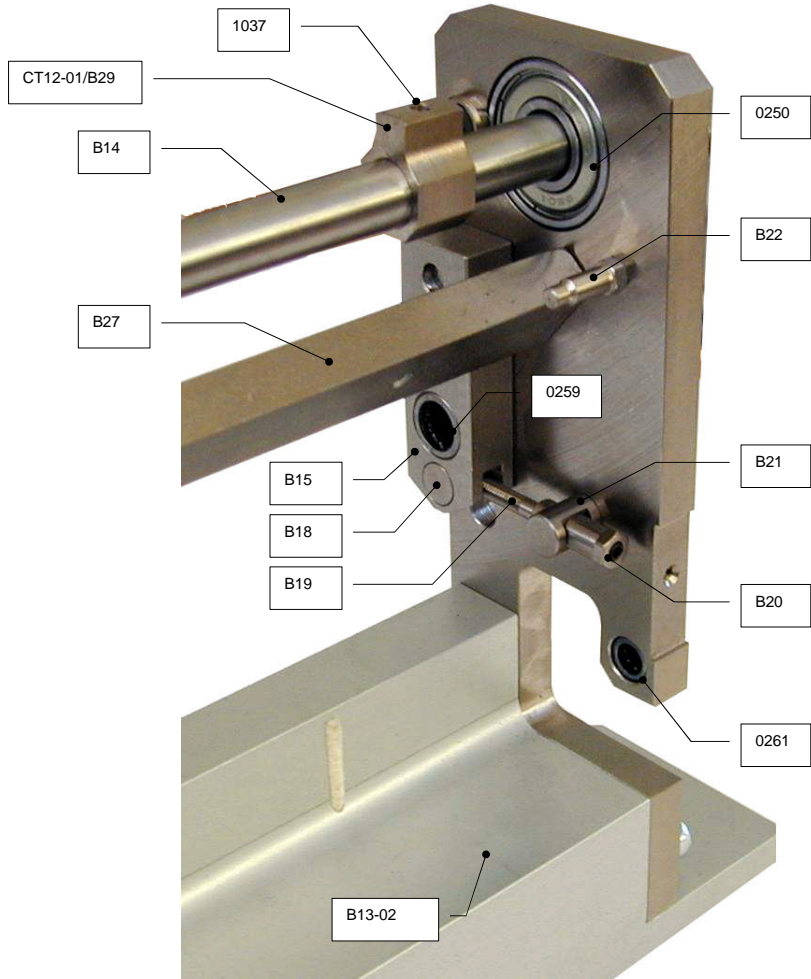
TC1010 - SPARE PARTS LISTING

LEFT SIDE



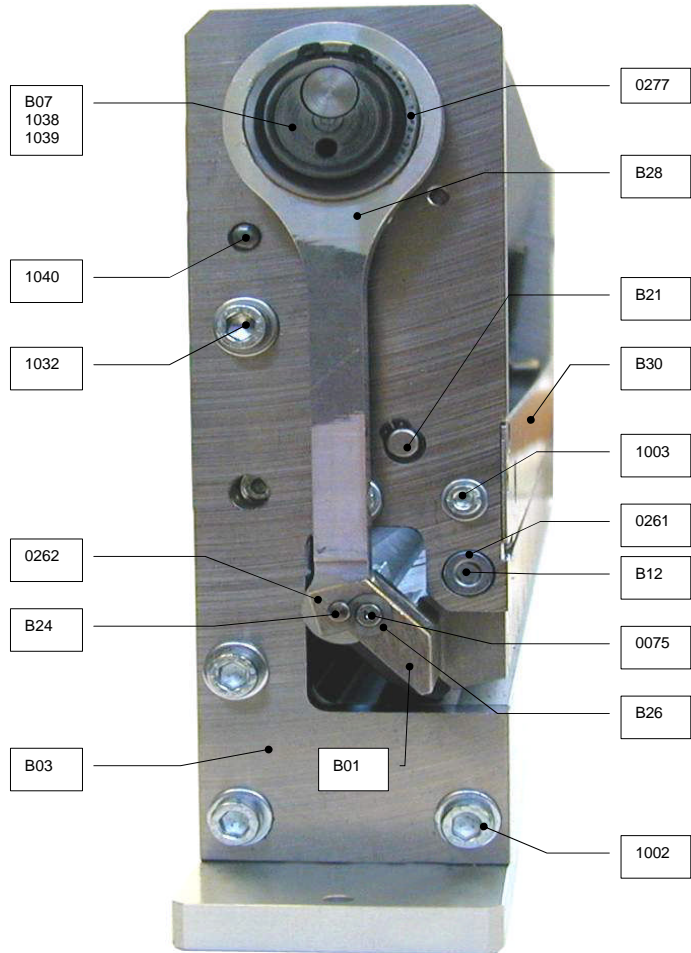
TC1010 - SPARE PARTS LISTING

RIGHT SIDE



TC1010 - SPARE PARTS LISTING

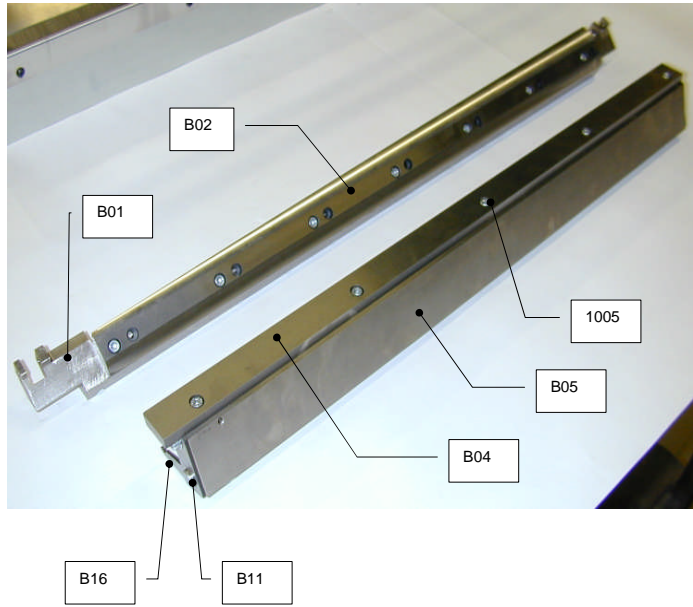
LEFT SIDE



Corso Vercelli 139 – 10015 Ivrea (To) – Phone # (39) 0125 / 615431 – Fax # (39) 0125 / 615344

TC1010 - SPARE PARTS LISTING

TOP & LOWER BLADE



SPARE PARTS LISTING

P/N	DESCRIPTION	REF.
CT18-03/B01	Mounting-top	B01
CT18-03/B02	Blade-top	B02
CT18-03/B03	Side frame	B03
CT18-03/B04	Blade-lower	B04
CT18-03/B05	Mounting-lower blade	B05
CT18-03/B06	Mounting block – lower blade stop	B06
CT18-03/B07	Eccentric	B07
CT18-03/B10	Gear	B10
CT18-03/B11	Pivot pin – lower blade	B11
CT18-03/B12	Pivot pin – top blade	B12
CT18-03/B13-02	Top frame	B13-02
CT18-03/B14	Main shaft	B14
CT18-03/B15	Trunion block	B15
CT18-03/B16	Tension spring bracket – lower blade	B16
CT18-03/B17	Stop screw – lower blade	B17
CT18-03/B18	Pivot	B18
CT18-03/B19	Adjusting screw – lower blade	B19
CT18-03/B20	Adjusting nut – lower blade	B20
CT18-03/B21	Swivel block	B21
CT18-03/B22	Anchor pin – tension spring	B22
CT18-03/B23	Paper guide - lower	B23
CT18-03/B24	Pivot pin – connecting rod	B24
CT18-03/B25	Front cover	B25
CT18-03/B26	Plain washer	B26
CT18-03/B27	Tie bar	B27
CT18-03/B28	Connecting rod - blade	B28
CT18-03/B29	Spring – blade tension	B29
CT18-03/B30	Paper guide plate – upper	B30
CT12-01/B20	Pulley for eccentric	CT12-01/B20
CT12-01/B29	Phase activator for sensor	CT12-01/B29

TC1010 - SPARE PARTS LISTING

P/N	DESCRIPTION	TYPE
COMM 0074	Screw	M3 X 6 UNI 5933
COMM 0075	Screw	M2.5 X 5 UNI 5933
COMM 0250	Bearing 12x32x10	SKF 6201-2Z
COMM 0259	Needle Bearing	INA HK 1012
COMM 0261	Needle Bearing 6x10x9	BK 06-09
COMM 0262	Needle Bearing 4x8x8	INA HK 0408TN
COMM 0277	Needle Bearing 24x32x16	FAG NK 24/16A
COMM 1002	Screw	M6 X 25 UNI 5931
COMM 1003	Screw	M4 X 20 UNI 5931
COMM 1005	Screw	M4 X 12 UNI 5931
COMM 1006	Screw	M4 X 10 UNI 5931
COMM 1030	Grub Screw	M5 X 6 UNI 5923-67
COMM 1032	Screw	M6 X 20 UNI 5931
COMM 1034	Screw	M5 X 18 UNI 5931
COMM 1035	Screw	M4 X 18 UNI 5931
COMM 1036	Screw	M4 X 6 UMBRAKO
COMM 1037	Grub Screw	M4 X 6 UNI 5923-67
COMM 1038	Grub Screw	M5 X 8 UNI 5929-67
COMM 1039	Grub Screw	M5 X 8 UNI 5927-67
COMM 1040	Setting Pin	D=6 x 18