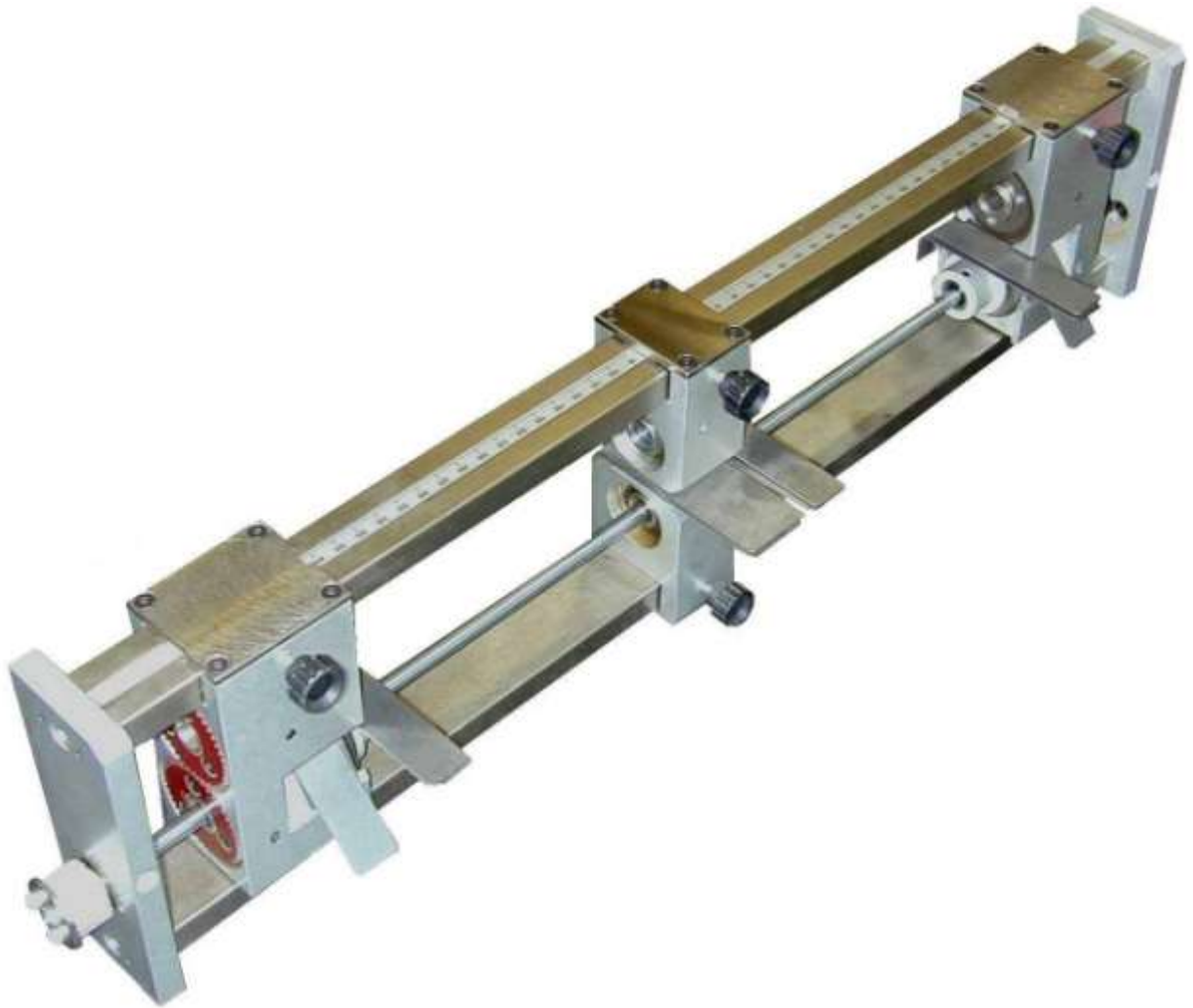


TC1003 MAINTENANCE MANUAL

TC1003



SPARE PARTS LISTING

TC1003 MAINTENANCE MANUAL

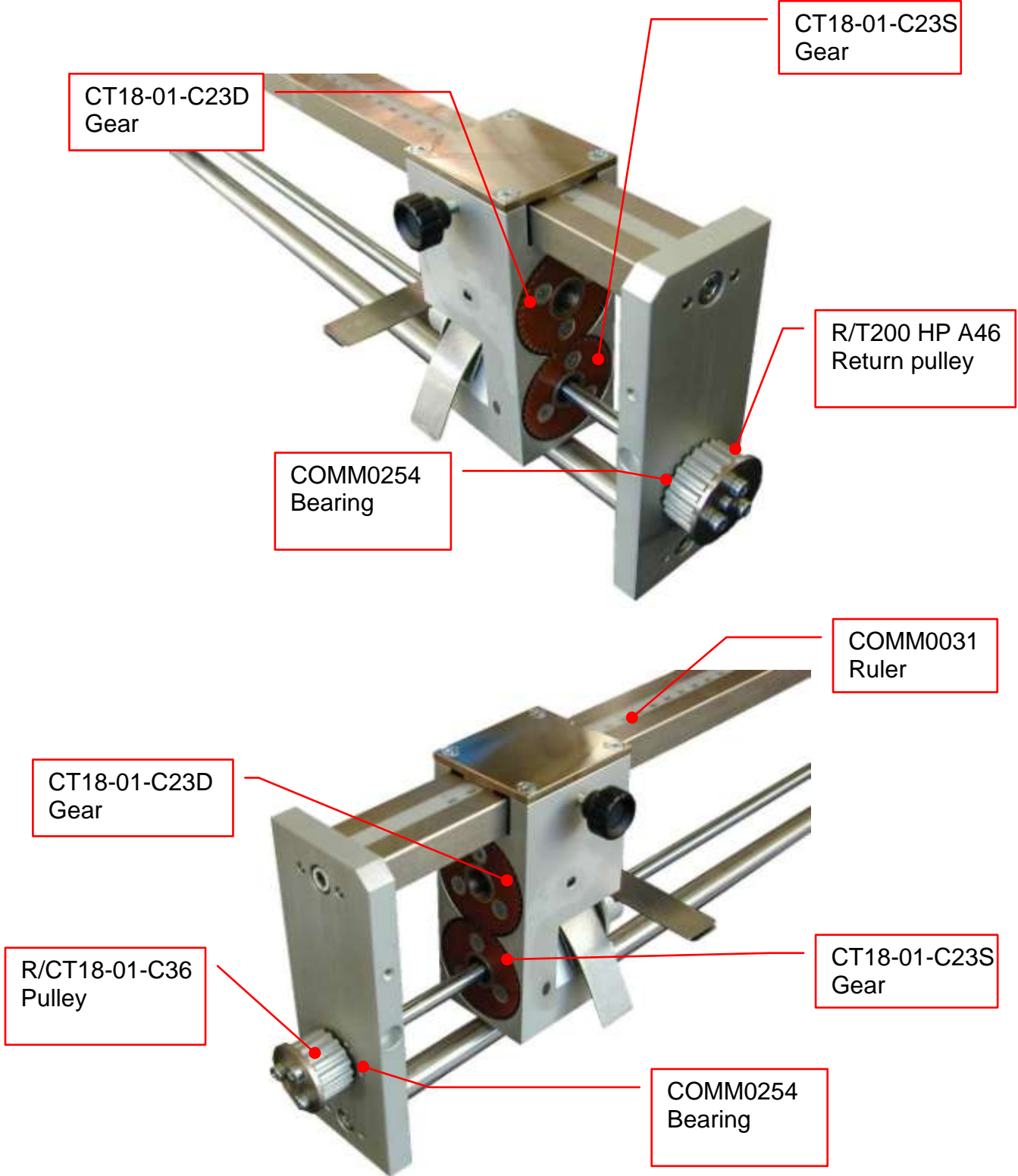
RIGHT SIDE TRIMMER GROUP (R/0016 DX)



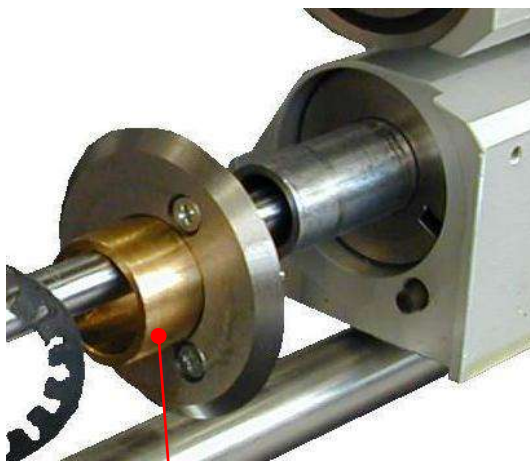
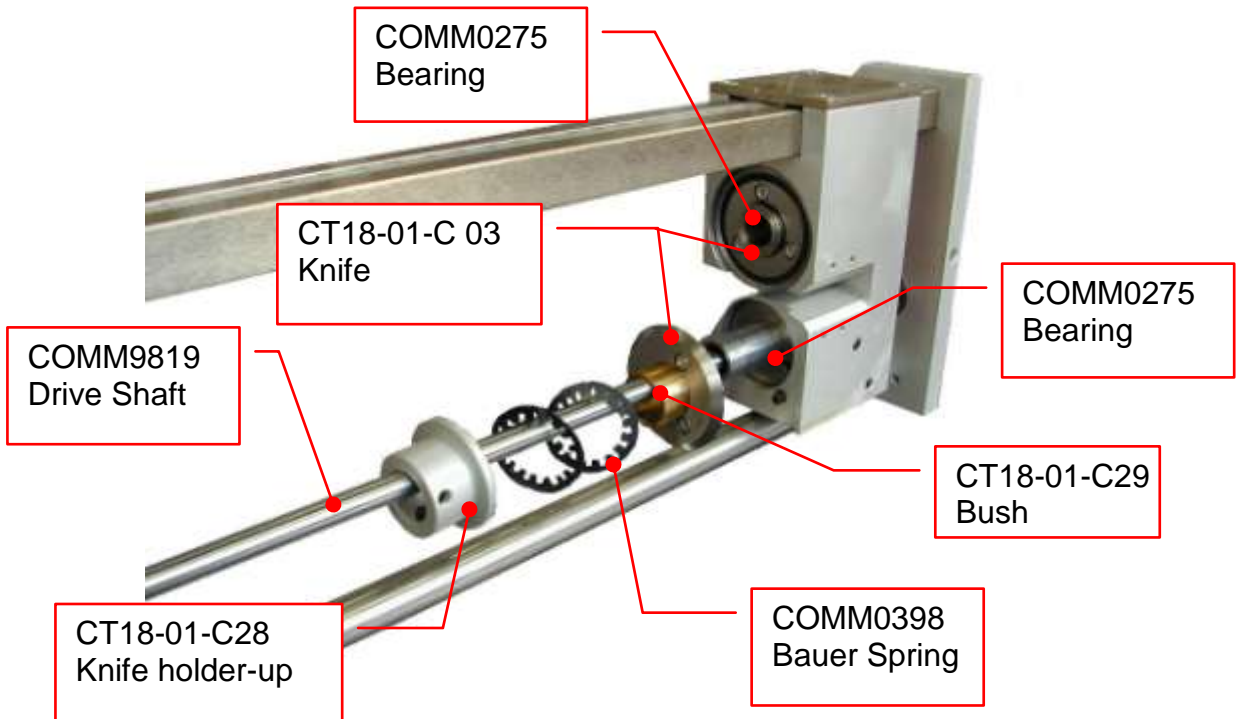
LEFT SIDE TRIMMER GROUP (R/0016 SX)



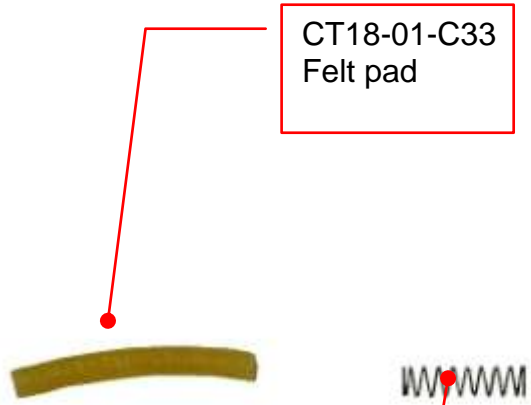
TC1003 MAINTENANCE MANUAL



TC1003 MAINTENANCE MANUAL

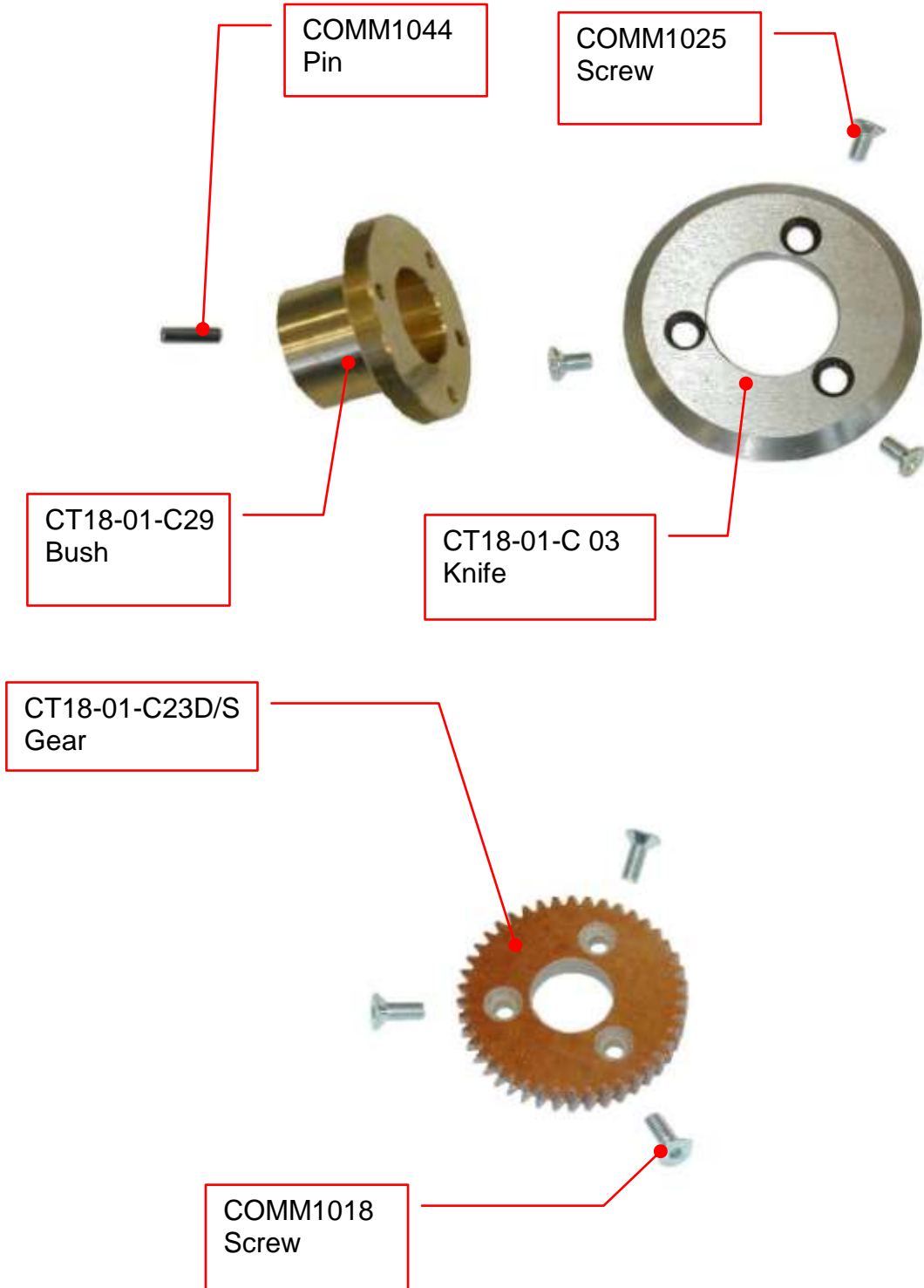


CT18-01-C29 Bush



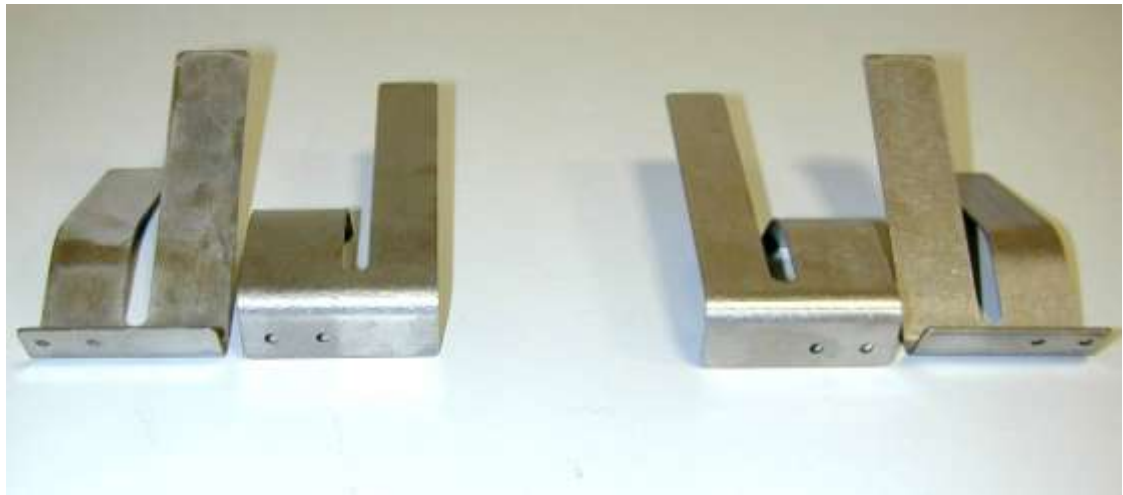
COMM0335 Spring

TC1003 MAINTENANCE MANUAL

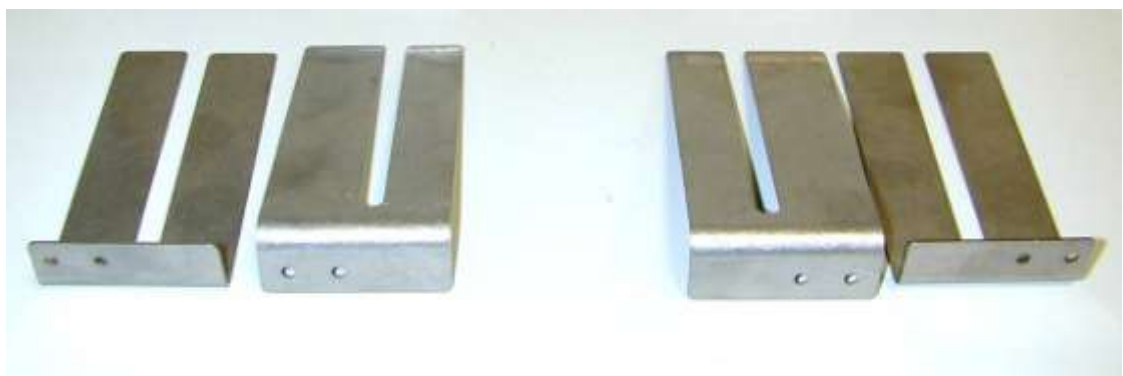


TC1003 MAINTENANCE MANUAL

BENT PAPER GUIDE- R/0083

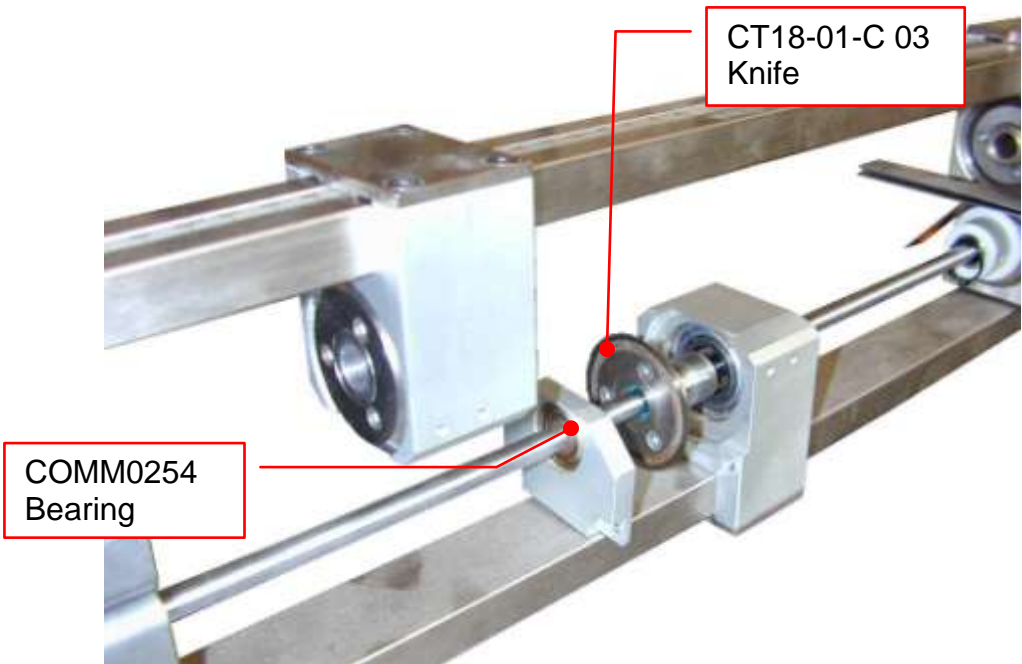
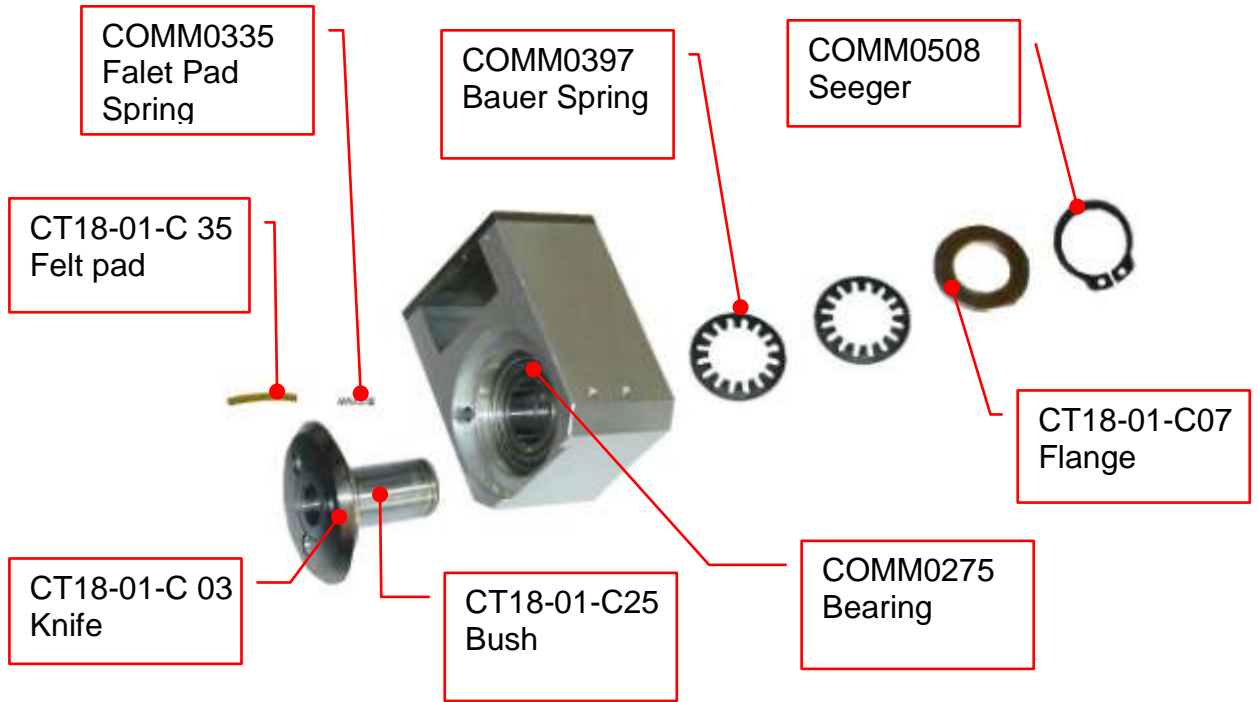


STRAIGHT PAPER GUIDE- R/0084



TC1003 MAINTENANCE MANUAL

CENTRAL KNIFE GROUP (R/0092)



TC1003 MAINTENANCE MANUAL

SPARE PARTS

COMM.	DESCRIPTION
COMM0031	Ruler
COMM0254	Bearing
COMM0275	Bearing
COMM0335	Felt pad spring
COMM0397	Bauer spring
COMM0398	Bauer spring
COMM0508	Seeger
COMM1044	Pin
COMM9819	Drive Shaft
CT18-01-C03	Knife
CT18-01-C07	Flange
CT18-01-C23/D	Gear
CT18-01-C23/S	Gear
CT18-01-C25	Bush
CT18-01-C28	Knife Holder-up
CT18-01-C29	Bush
CT18-01-C33	Felt pad
CT18-01-C35	Felt pad
R/CT18-01-C36	Pulley
R/T200HP-A46	Return pulley
R/0016-SX	Left Side Trimmer group
R/0016-DX	Right Side Trimmer group
R/0083	Bent paper guide
R/0084	Straight paper guide
R/0093	Central knife group