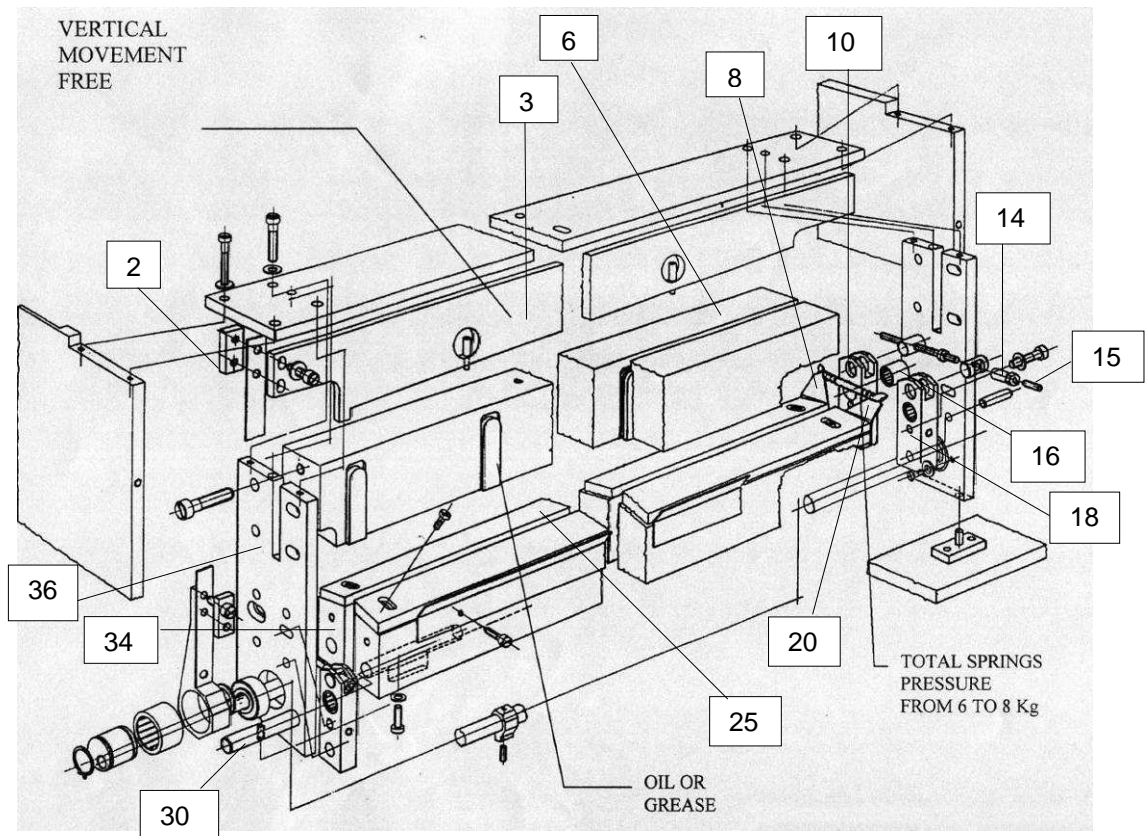
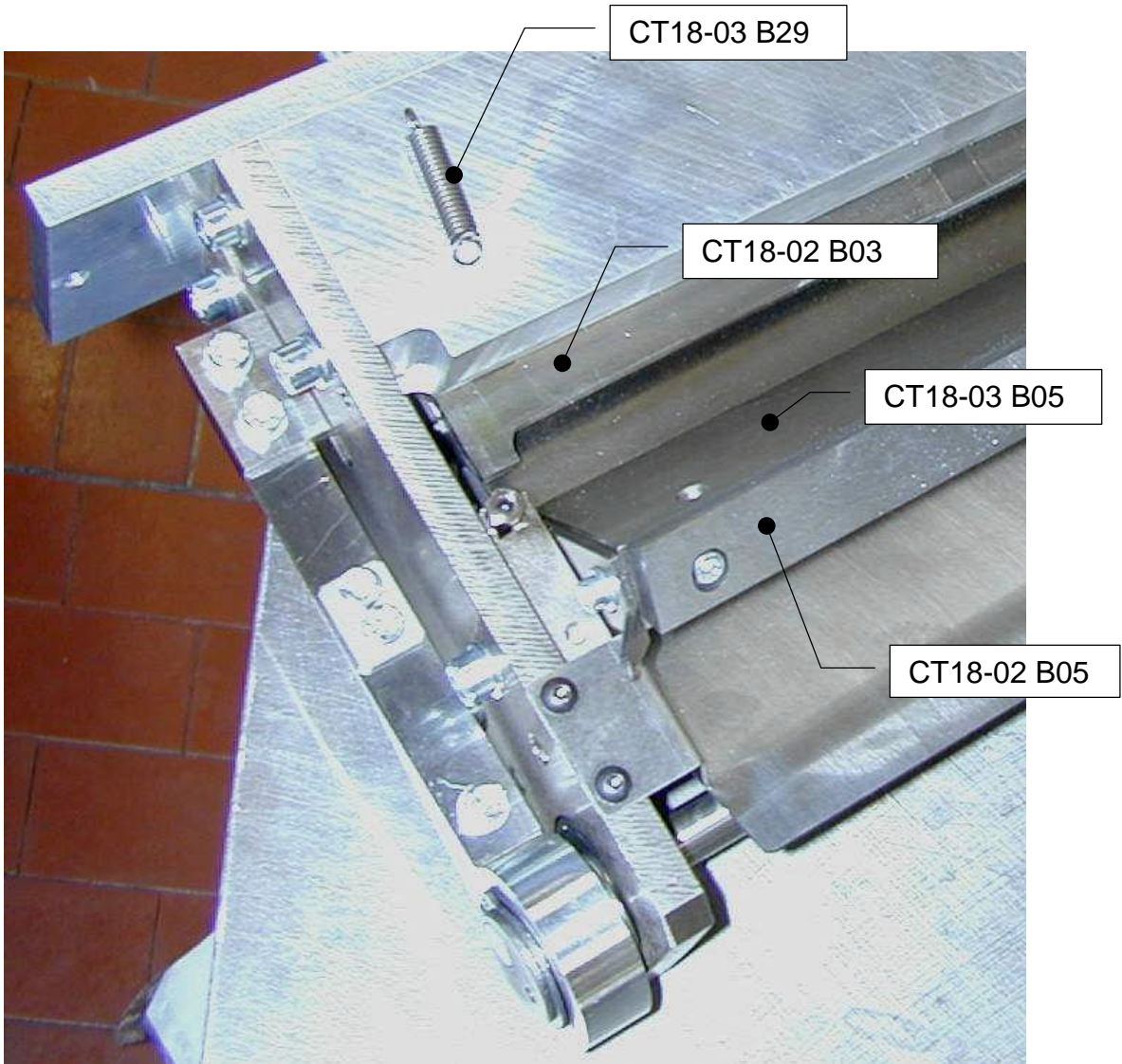


**CARTRIDGE SPARE PARTS  
18" VERTICAL BLADE**

**SPARE PARTS**



**CARTRIDGE SPARE PARTS  
18" VERTICAL BLADE**



**CARTRIDGE SPARE PARTS  
18" VERTICAL BLADE**

POS	DESCRIPTION	TECNAU P/N
1	ROD SPRING	CT12.01 / B14
2	ROD SPRING – clamping plate	CT12.01 / B26
3	BLADE	CT18.02 / B03
4	TOP FRAME	CT18.02 / B02
5	BLADE GUIDE with adjustment	CT18.02 / B01
6	BLADE GUIDE	CT18.02 / B06
7	INERTIAL MASS	CT12.02 / B07
8	SPRING – terminal	CT12.02 / B05
9	SPRING	CT12.02 / B11
10	TRUNNION BLOCK	CT18.03 / B15
11	PIVOT PIN	CT18.03 / B18
12	ADJUSTING SCREW – lower blade	CT18.03 / B19
13	SWIVEL BLOCK	CT12.01 / B23
14	ADJUSTING NUT – lower blade	CT18.03 / B20
15	GRUB SCREW	M4 x 10
16	NEEDLE BEARING	COMM 259
17	LEFT SIDE FRAME	CT12.02 / B3
18	TRUNNION BLOCK – blade	CT12.02 / B12
19	SPRING	CT12.02 / B11
20	SPRING – terminal	CT12.02 / B05
21	PULLEY (gear)	CT18.03 / B10
22	MAIN SHAFT	CT18.03 / B14
23	BELT	COMM 146
24	BLADE (same as 25)	CT18.02 / B05
25	BLADE (same as 24)	CT18.02 / B05
27	ACTIVATOR – position sensor	CT12.01 / B29
28	MOUNTING - blade	CT18.02 / B04
29	BALL BEARING	COMM 250
30	PIVOT PIN – lower blade	CT18.03 / B11
31	NEEDLE BEARING	COMM 255
32	ECCENTRIC – connecting rod drive	CT12.01 / B10
33	CONNECTING ROD – blade	CT12.01 / B12
34	MOUNTING – blade	CT18.02 / B04
35	PLATE	CT12.01 / B25
36	RIGHT SIDE FRAME	CT12,02 / B3
37		
38		
39		
40		